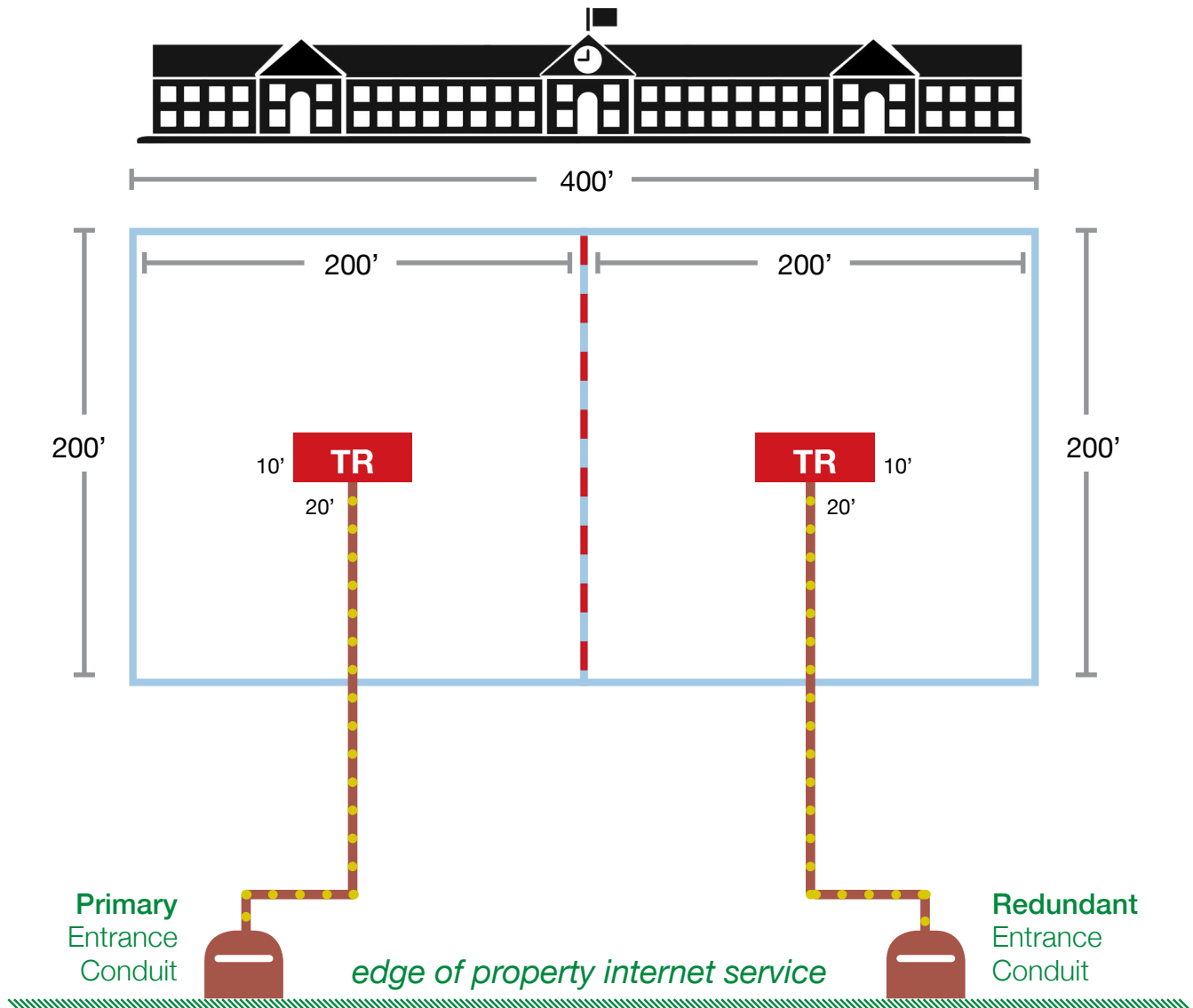


K12 Technology Planning

Cabling 101: Technology Rooms (TRs)

Well-positioned, dedicated, secure physical spaces devoted to technology infrastructure and connected systems components are vital platforms for data delivery throughout a building. **Technology Rooms (TRs)** include **Communications Equipment Rooms (CERs)**, **Communications Rooms (CRs)**, **Main Telecomm Rooms (MTRs)**, and **Intermediate Telecomm Rooms (ITRs)**.

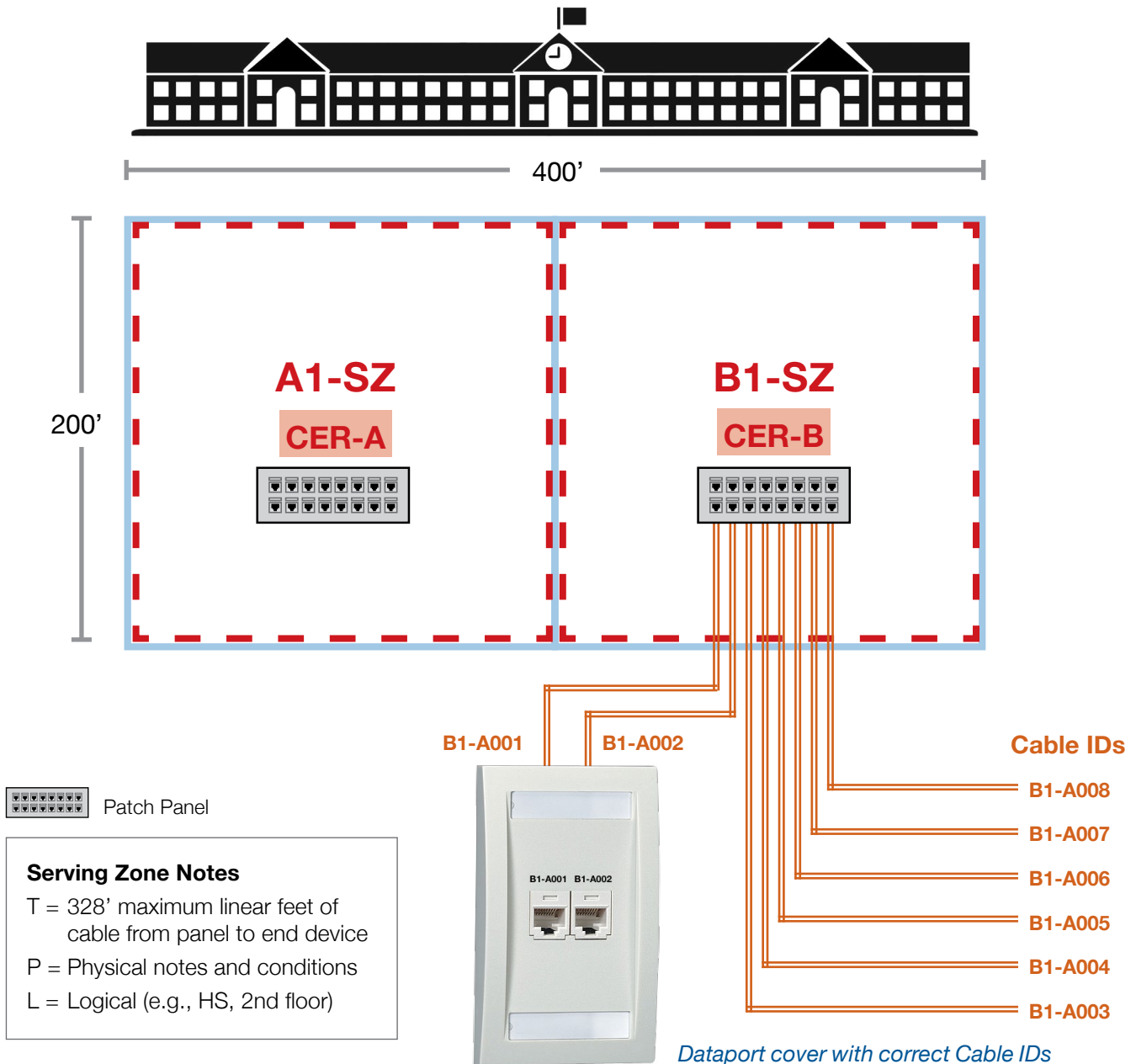


For more information about our independent technology professional services for K-12 School Districts, please visit <https://www.archi-technology.com/nys-school-districts.html>

K12 Technology Planning

Cabling 101: Serving Zones (SZs) & Cable IDs

Originating from the Technology Rooms, **Serving Zones (SZs)** are the areas within a building and/or floor that contain robust, reliable data delivery to the systems and end-point devices in that space. Developing efficient SZs are based on a number of factors including end-point distance from TRs, space conditions, and the capacity and condition of the Structured Cabling within the Zone. **Cables** are labeled with **standard IDs** to facilitate maintenance, troubleshooting and future system upgrades.

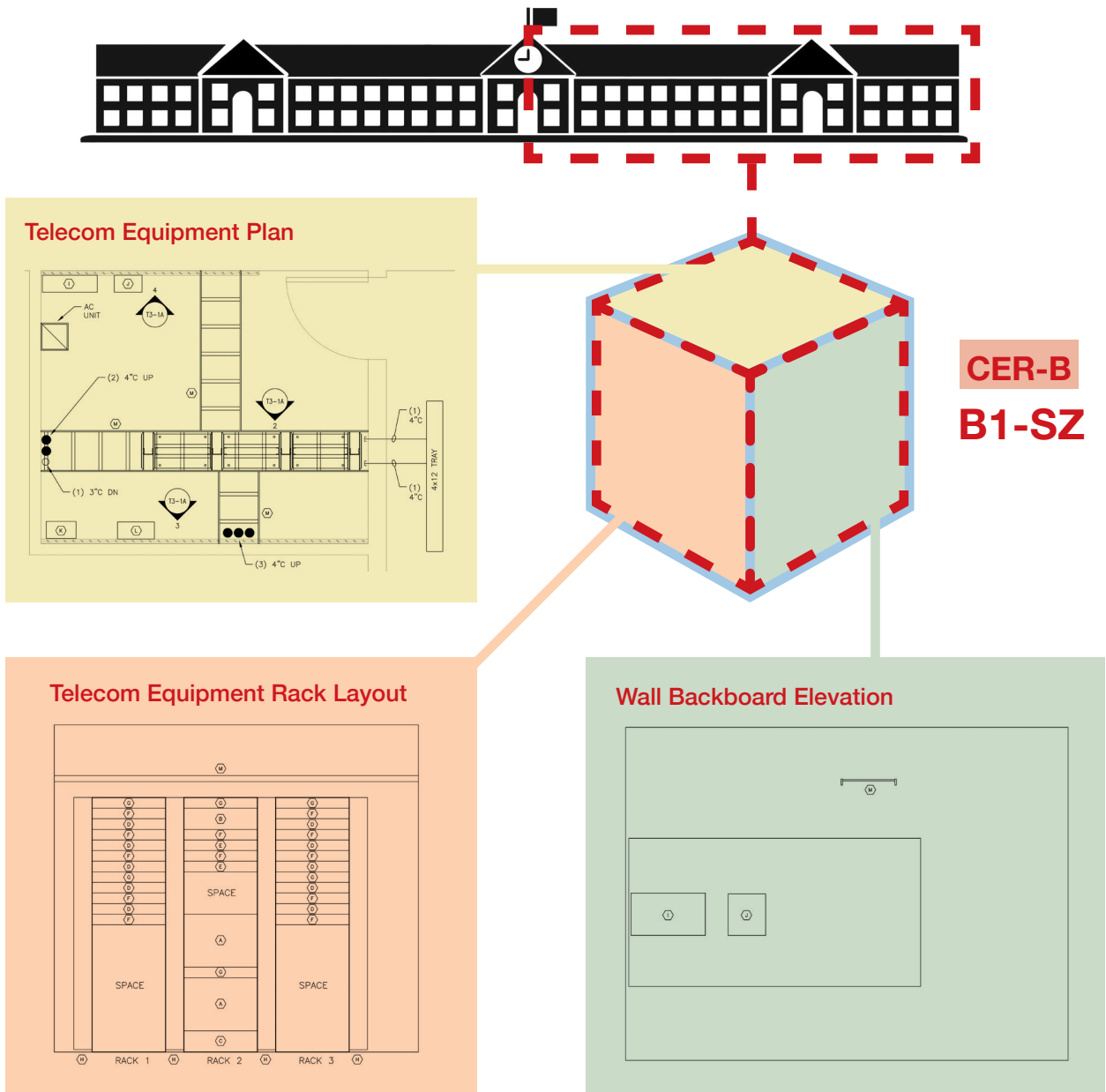


For more information about our independent technology professional services for K-12 School Districts, please visit <https://www.archi-technology.com/nys-school-districts.html>

K12 Technology Planning

Cabling 101: TR Equipment & Rack Layouts (T-3)

Designing and documenting the physical and technical specifications of Technology Room equipment is critical for operational reliability, reduction of required materials, and facility succession planning. **CER Equipment** drawing views should include a plan (overhead), rack layouts and wall elevations to ensure that all components are properly sized and positioned during the construction phase of a project.



For more information about our independent technology professional services for K-12 School Districts, please visit <https://www.archi-technology.com/nys-school-districts.html>